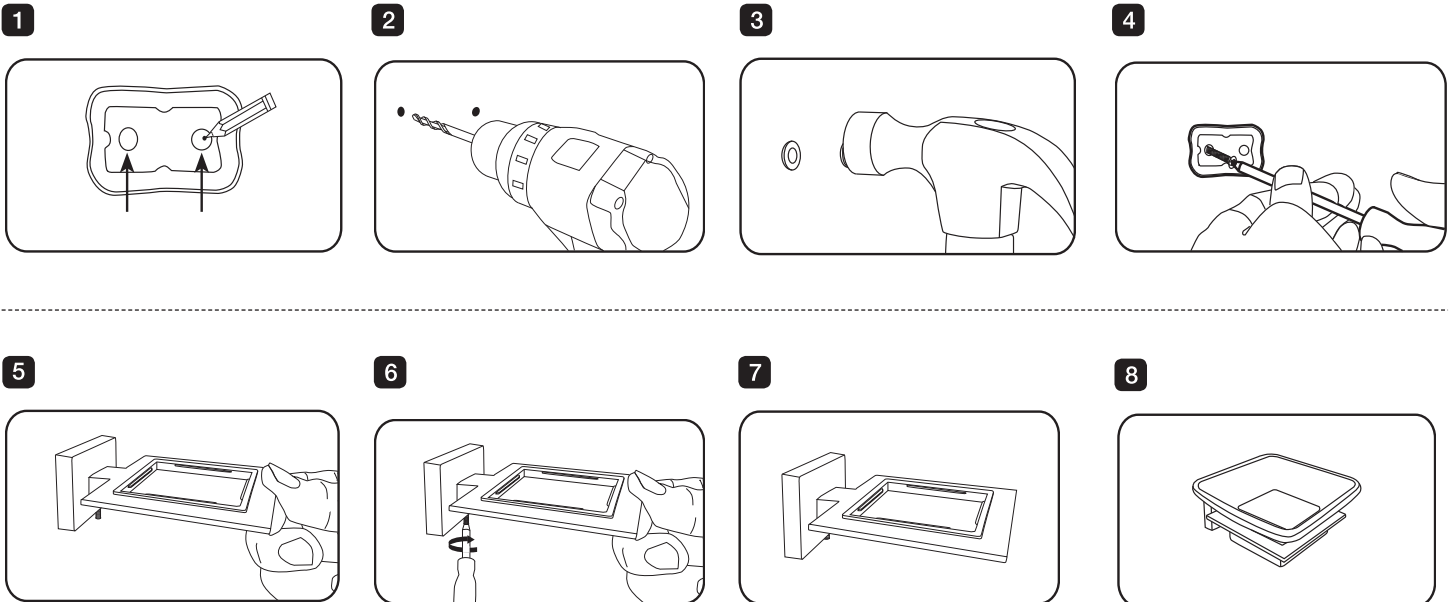
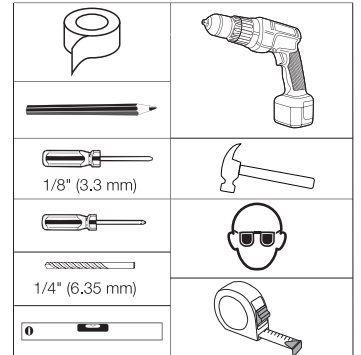
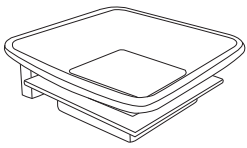


SOUTH MAIN HARDWARE

Euro Soap Tray SH605-PC-1



CAUTION

This product contains small items that could be a choking hazard if swallowed. Keep these items away from young children.

- Make Sure these instructions are read and completely understood before attempting installation. If you are unsure of any part of this installation, please contact a professional installer for assistance.

⚠ WARNING Maximum load: 11 lbs (5 kg).

Step 1: Determine where you would like to mount your bathroom hardware fixture by placing it on the wall. Mark your location with tape or a pencil. Position the mounting bracket in the desired mounting location and mark 2 vertical holes using a pencil.

Step 2: Using a drill and 1/4" (6.35 mm) drill bit, drill two horizontal holes in the location previously marked using the mounting bracket.

Step 3: Insert the plastic drywall anchors into both drilled holes. Lightly tap with hammer until anchors are flush with wall.

Step 4: Position mounting bracket against anchor holes and thread screws until secure.

Step 5: Using the 1/8" (3.3 mm) slotted screwdriver, loosen the metal set screw located at the base of each fixture. Loosen screw until fixture is able to rest flush over mounting bracket.

Step 6: With the fixture resting on the wall, use a 1/8" (3.3 mm) slotted screwdriver again to tighten the fixture onto the mounting bracket.

Step 7: Make sure the fixture is secured to the wall by gently moving from side to side.

Step 8: Place the included glass cup into the mounted metal holder.