


SOUTH MAIN HARDWARE

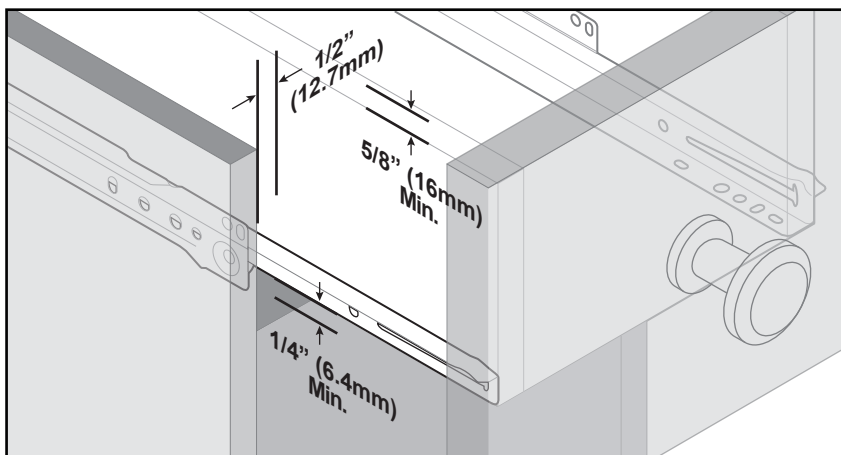
INSTRUCTION MANUAL European Bottom Mount Drawer Slides SLIDE-R

NOTICE: These slides are for frameless cabinets. Face-frame cabinets will require a face-frame kit.

 **STOP:** Please carefully READ instruction manual before beginning your installation.

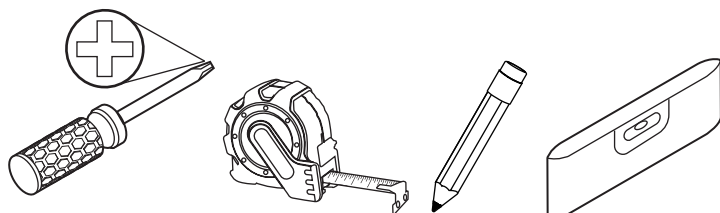
Product Specifications:

- Premium bottom mounting euro drawer slides with white powder coat finish.
- 55-Lbs max weight capacity; made from cold rolled steel and nylon track wheels.
- Thickness: 1.2mm; Width: 0.88 inch (22.4mm).
- Recommended side clearance: 1/2 inch (12.7mm).
- Recommended clearance for bottom of drawer: 1/4 inch (6.4mm).
- Recommended clearance for top of drawer: 5/8 inch (16mm).
- This item is available in the following lengths: 10", 12", 14", 16", 18", 20", and 22" and 24".



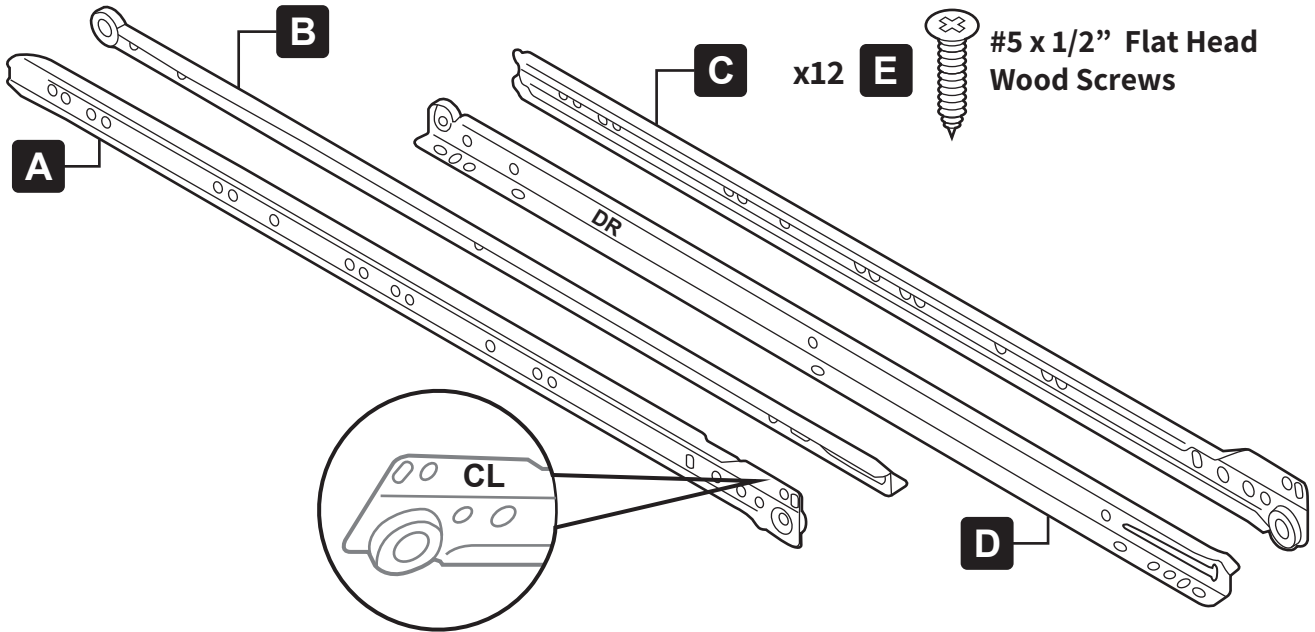
Recommended Tools:

- Phillips screwdriver
- Tape Measure
- Pencil
- Level



What's included:

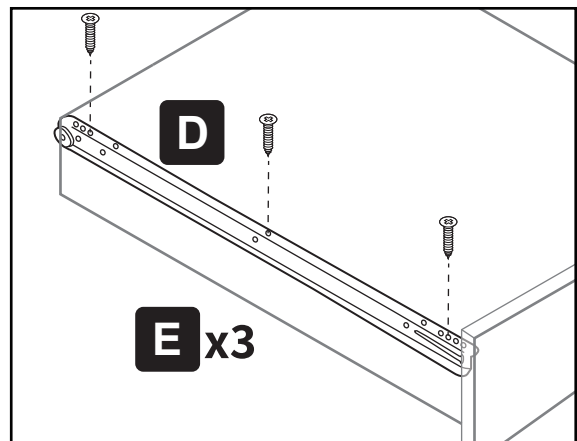
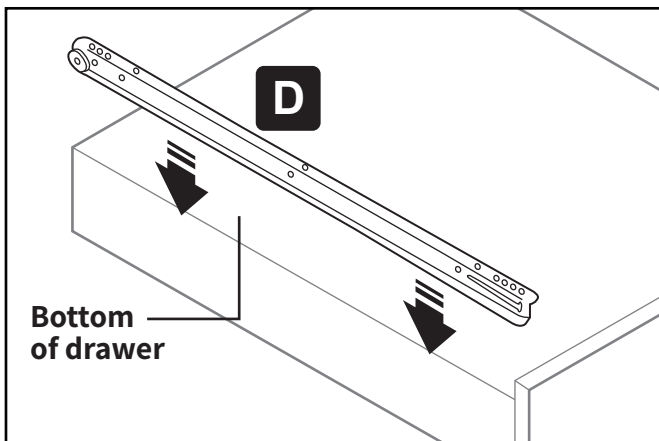
- (A) One (1) Left-Side Cabinet Member (CL)
- (B) One (1) Left-Side Drawer Member
- (C) One (1) Right-Side Cabinet Member
- (D) One (1) Right-Side Drawer Member (DR)
- (E) Twelve (12) #5 1/2" Flat Head Wood Screws



Installation Guide:

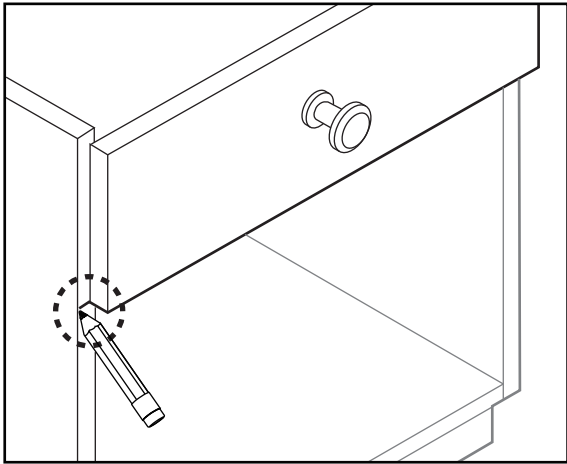
Step 1: Install Bottom Drawer Members

Place the drawer member (D) onto the bottom of the drawer. Secure with the provided screws. Repeat this step with drawer member (B) on the opposite side of drawer.

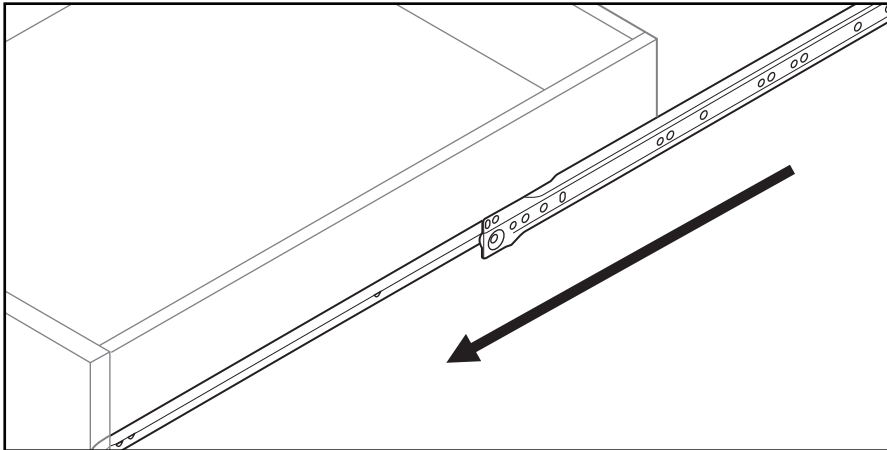


Step 2: Determining Drawer Position

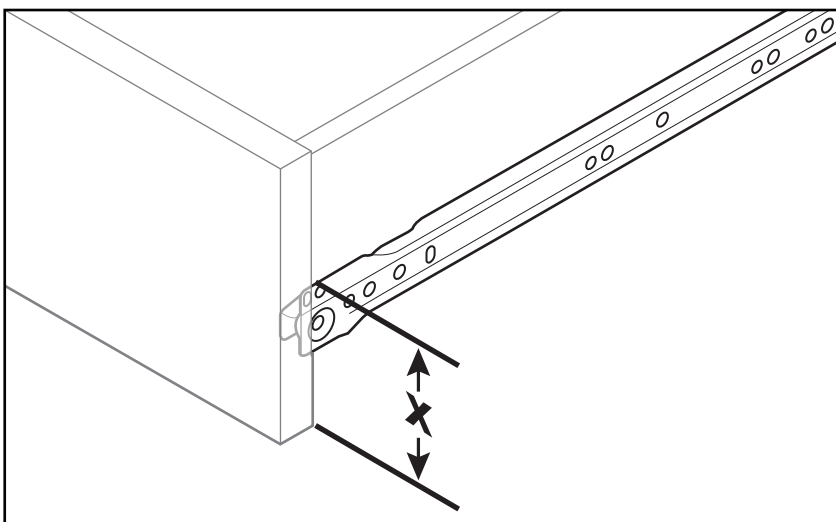
1. Align drawer to desired location. Mark a line on the cabinet at the bottom of the drawer face on both sides.



2. Slide the cabinet member (C) onto the drawer member (D).

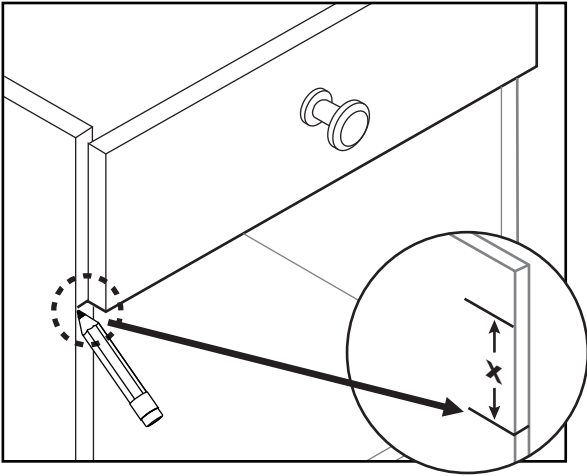


3. Once attached, measure the distance between the bottom of the drawer front to the top of the cabinet member (C) Write down this measurement "X".

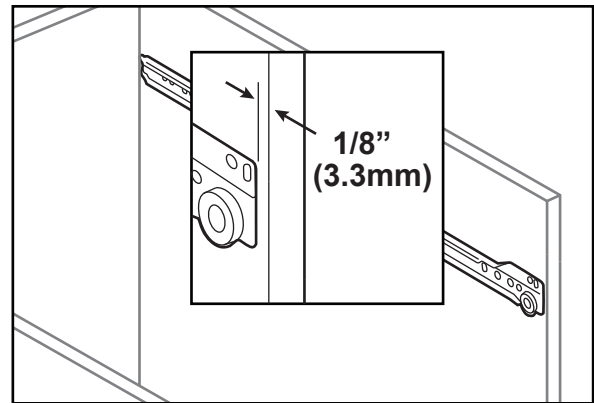
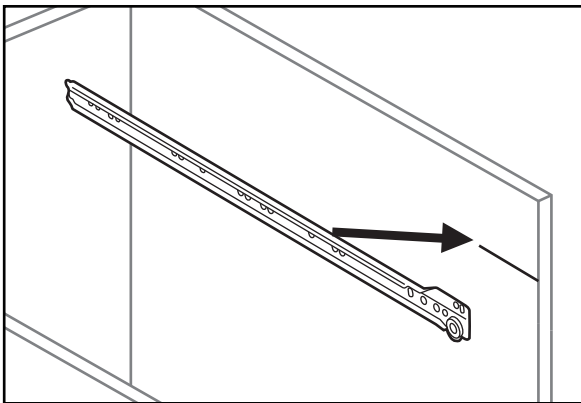


Step 3: Installing Cabinet Members

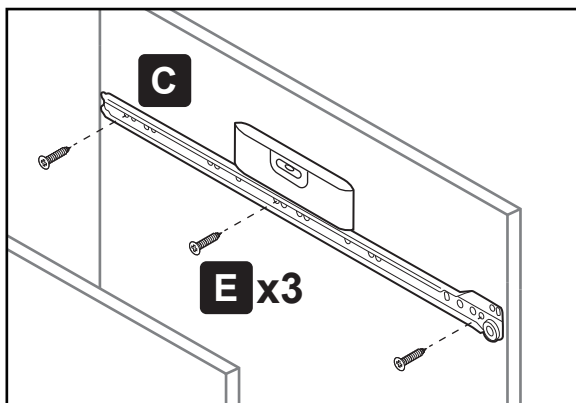
1. Locate the cabinet line drawn in the previous step.
2. Measure distance "X" from the previous mark. Draw a line inside the cabinet wall to mark this distance.



3. Align the top of cabinet member (C) with the marked line.
4. IMPORTANT: Make sure that cabinet member (C) is 1/8" (3.3mm) from the front of the cabinet.



5. Using a level, ensure cabinet member (C) is level and secure to the wall using the provided screws.



6. Repeat steps 2-3 to install cabinet member (A) and drawer member (B).

Step 4: Connecting your Drawer

To attach your drawer to the cabinet, tilt drawer upwards and align with cabinet slides before pushing in. Test drawer to ensure proper installation. Enjoy!

